

INSTALLATION INSTRUCTIONS

CNH FLEX HOE SIDE BAND LIQUID OPENERS



2110 Park Avenue Brandon, Manitoba, Canada R7B 0R9

Website: www.atomjet.com

Email: agriculture@atomjet.com

Phone: 1.204.728.8590

Fax: 1.204.726.5734

Toll Free: 1.800.573.5048

IMPORTANT WARRANTY/GUARANTEE INFORMATION

DO NOT DESTROY

Any claims under the guarantee must be COMPLETED BY OCTOBER 31 IN THE YEAR OF PURCHASE to qualify for a full refund. To satisfy a claim, Atom-Jet Industries must be given the opportunity during the seeding season to rectify the problem or issue, if NOT THE GUARANTEE IS NULL AND VOID. Wear under normal use is not covered by warranty/guarantee.

To activate your warranty registration, scan this QR code using the application on your mobile device and fill out the online form. Upon receipt of the completed form, we will send you a free pair of Atom-Jet work gloves.



WARRANTY IS TO BE COMPLETED BY OCTOBER 31 IN THE YEAR OF PURCHASE. The openers will either be Replaced or Repaired during this period. If you need to return an opener for warranty, please enclose your name, the farm name, address, phone number with area code, dealer purchased from, number of openers purchased, and the date of purchase. Please enclose copy of original invoice. Inclusion of the information will significantly speed up your warranty claim.

Get a
GOOD START
"IF SEEDING ISN'T DONE RIGHT, NOTHING ELSE MATTERS."

Before You Start

Our openers are designed to be compatible with the following drills:

- Case Precision Hoe 800
- Case Flex Hoe 900
- New Holland Precision Hoe P2070
- New Holland Precision Hoe P2075

Do not modify your openers to mount to your drill.

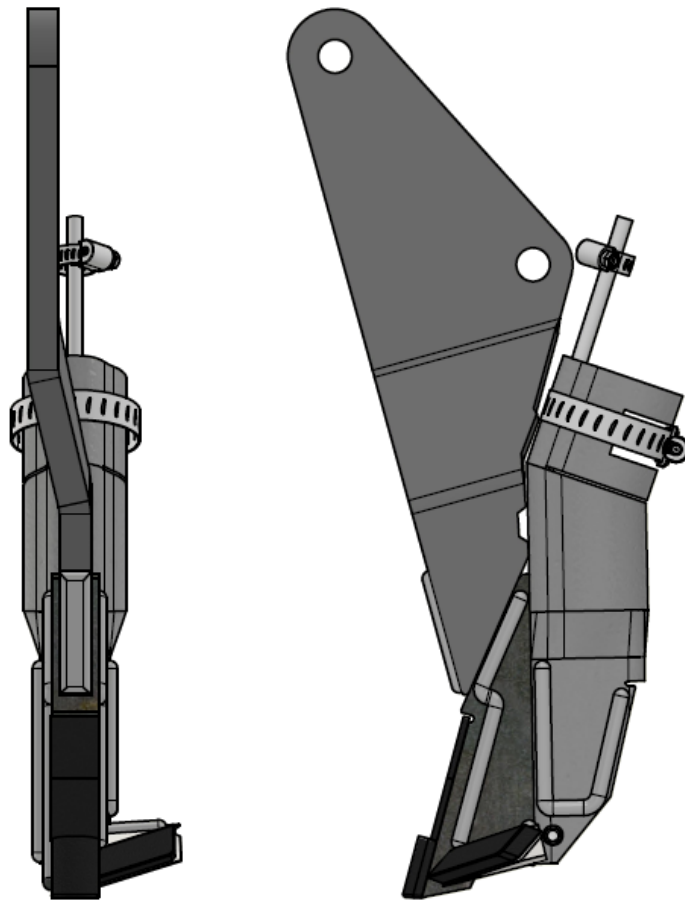


Figure 1: ZT-CBFAA0

Opener Installation

- 1) Bolt openers to the shank using the provided $\frac{1}{2}$ " x $1 \frac{7}{8}$ " bolts and nuts. Once installed, the point will be underneath the shank. Install the openers with the wing pointed to the center of the drill.

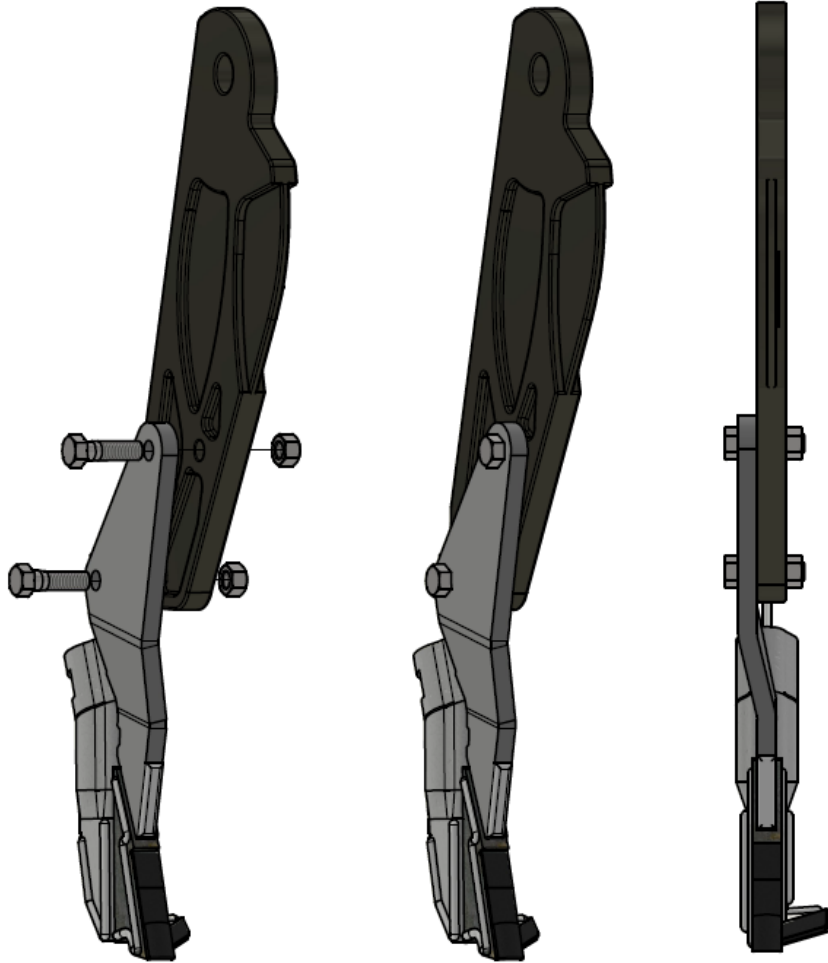


Figure 2: Bolt opener to shank

Mounting your openers on the correct side of the drill will reduce the chances of plugging while turning with the drill in the ground. A "left" opener will have the wing pointed to the left when viewed from the back. In Figure 2, the arrows show the direction of the wing.

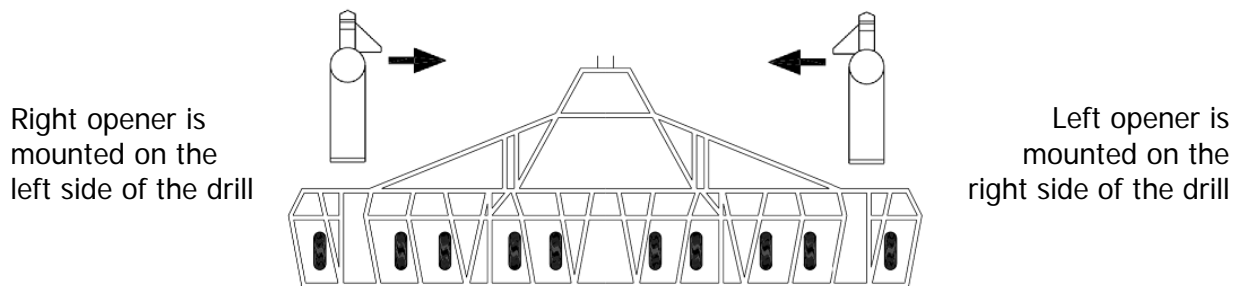


Figure 3: Opener orientation

- 2) Install the ¼" liquid tube through the hole in the bottom of the chute. Slide the tube up from the bottom then rotate the tube so it rests in the liquid tube hole.

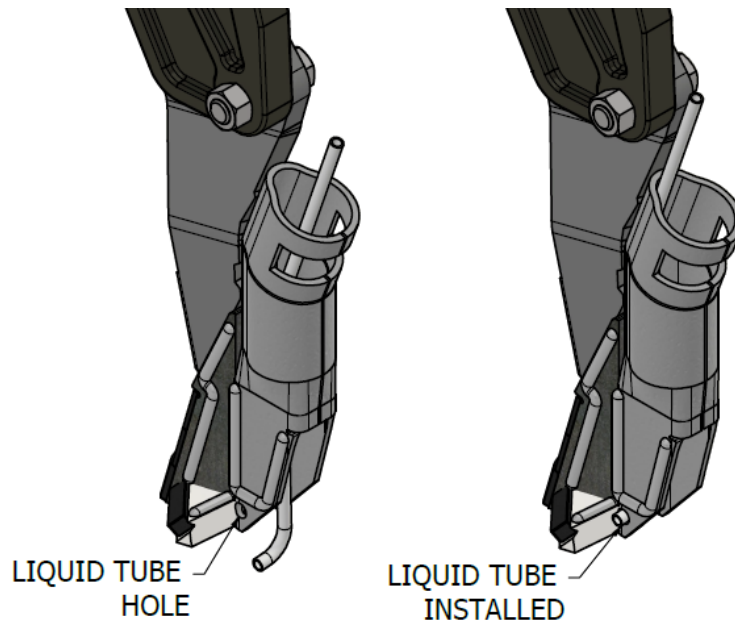


Figure 4: Install liquid tube

- 3) Install the tube separator up from the bottom of the seed tube over the liquid tube. The prongs in the top of the tube separator will go on either side of the liquid tube and hook into the seed tube near the bend. The bend on the bottom will cradle the tube. The notch in the middle of the tube separator will hold the liquid tube in the middle of the seed tube.

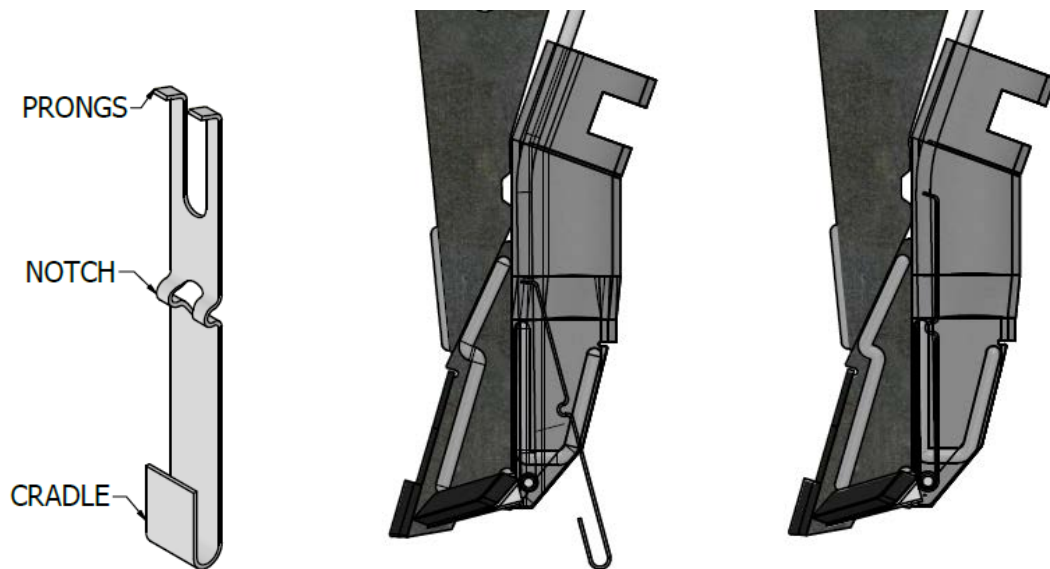


Figure 5: Install tube separator

- 4) Insert the dry hose down into opener past the bend. The hose secures the tube separator and liquid tube in the boot. Secure the hose with the #20 hose clamp.

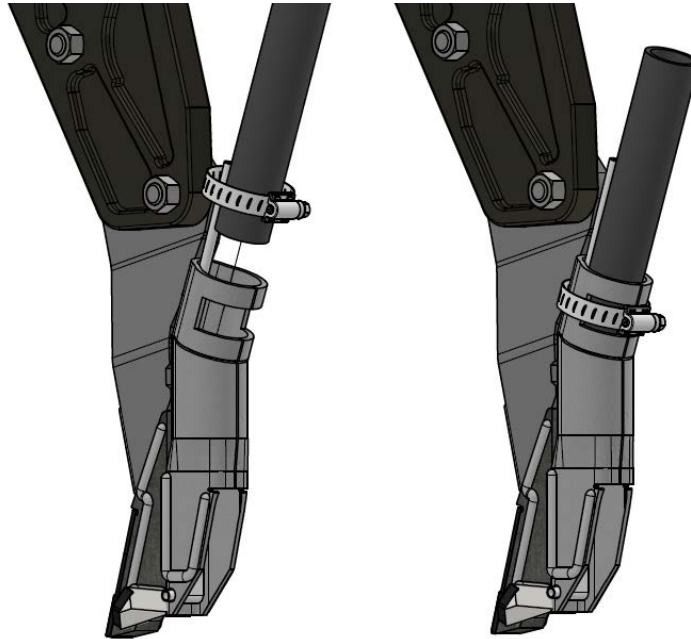


Figure 6: Install seed tube

Our openers are designed to allow hoses of different diameters. Hose bushings will be required for $\frac{3}{4}$ " ID hoses. Short pieces of delivery hose sliced vertically and slipped over the delivery hose make good bushings. If desired, a bushing can be purchased through Atom-Jet: part OP-CB15 TUBE SPACER.

- 5) Install the liquid fertilizer hose over the stainless steel tube and secure with the supplied #4 hose clamp.

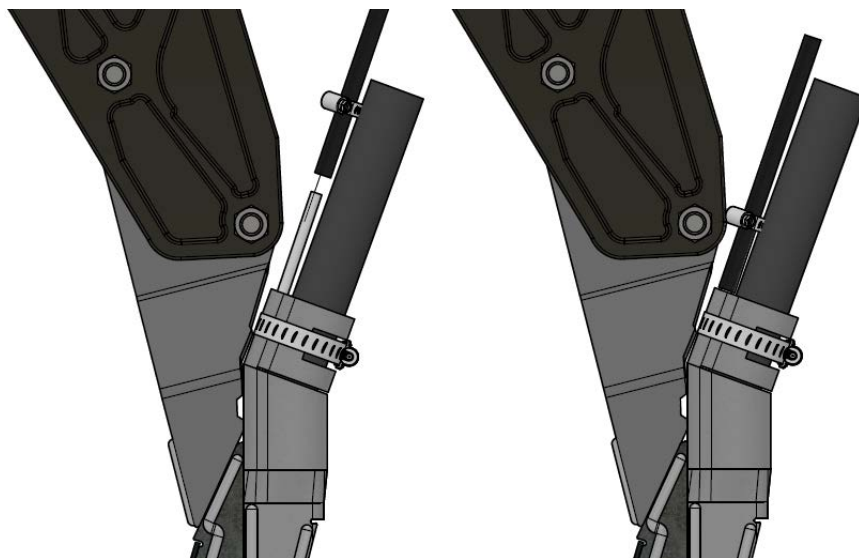


Figure 7: Install liquid fertilizer tube

Opener Maintenance

Atom-Jet openers are designed to be tough, durable, and reliable in all soil conditions. To extend the life of your openers even further, follow these steps:

- 1) Exchange openers from the wheel tracks with other areas of the drill or cultivator.
- 2) Maintain hard surfacing on the openers by building up the areas that were hard surfaced at the factory. Detailed instructions on how to do this are shown below. Hard surface welding sticks and hard surface wire can be purchased through your local welding supply store.
- 3) Carbide protected wings for side band openers can be purchased through Atom-Jet to weld on to replace broken and worn-out wings. Remember the designation of left and right wings based on the side of the drill shown in Figure 2.

Hard Surfacing

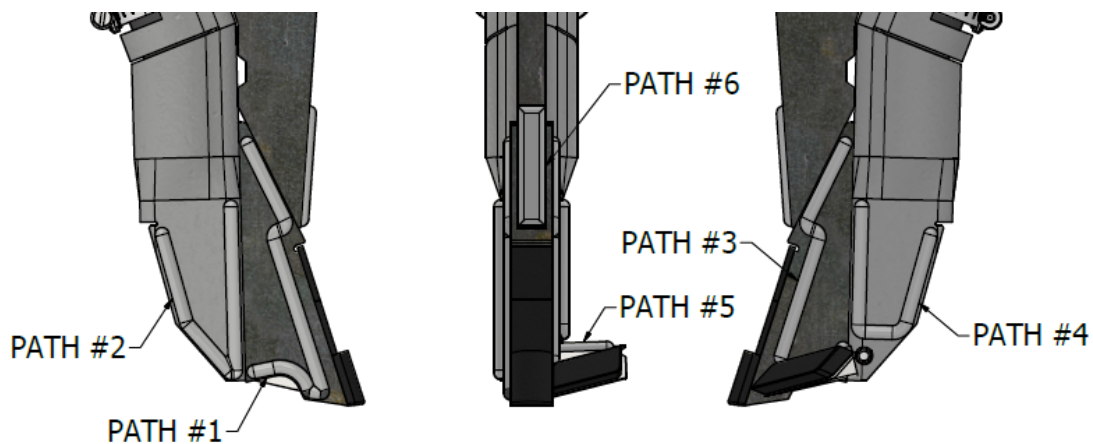


Figure 8: Hard surface paths

One of the reasons we chose steel to build our openers is the ease with which they can be maintained. The following steps are for re-building the hard surface weld beads:

- 1) Maintain the hard surfacing on the openers by building up the areas we have hard surfaced in the factory. Clean off the openers and work on at least ten openers at a time. The idea is to minimize the heat build-up in the opener, preventing any damage to the carbide.
- 2) Follow this order:
 - a. Starting $\frac{1}{8}$ " away from the carbide, do PATH #1 on all openers.
 - b. Next, do PATH #2 on the skirting of all openers. It may help to clamp a piece of steel inside the boot plate to give backing to the weld and to act as a heat sink.
 - c. Turn the openers over and do PATHS #3 and #4, following the same method as the first side.
 - d. Then, hold the opener with the wing flat. Starting $\frac{1}{8}$ " from the carbide, do PATH #5.
 - e. Finally, hold the opener with the point facing up. Starting $\frac{1}{8}$ " from the carbide, do PATH #6.
- 3) Atom-Jet Industries regularly performs this process for many customers. Call today for a quote at 1-800-573-5048.