

INSTALLATION INSTRUCTIONS

**EDGE ON SINGLE SHOOT OPENERS FOR
BOURGAULT PARALINK**



2110 Park Avenue Brandon, Manitoba, Canada R7B 0R9

Website: www.atomjet.com

Email: agriculture@atomjet.com

Phone: 1.204.728.8590

Fax: 1.204.726.5734

Toll Free: 1.800.573.5048

IMPORTANT WARRANTY/GUARANTEE INFORMATION

DO NOT DESTROY

Any claims under the guarantee must be COMPLETED BY OCTOBER 31 IN THE YEAR OF PURCHASE to qualify for a full refund. To satisfy a claim, Atom-Jet Industries must be given the opportunity during the seeding season to rectify the problem or issue, if NOT THE GUARANTEE IS NULL AND VOID. Wear under normal use is not covered by warranty/guarantee.

To activate your warranty registration, scan this QR code using the application on your mobile device and fill out the online form. Upon receipt of the completed form, we will send you a free pair of Atom-Jet work gloves.



WARRANTY IS TO BE COMPLETED BY OCTOBER 31 IN THE YEAR OF PURCHASE. The openers will either be Replaced or Repaired during this period. If you need to return an opener for warranty, please enclose your name, the farm name, address, phone number with area code, dealer purchased from, number of openers purchased, and the date of purchase. Please enclose copy of original invoice. Inclusion of the information will significantly speed up your warranty claim.



Opener Installation

- 1) Bolt openers to shank using the provided $\frac{3}{8}$ " x $2 \frac{1}{4}$ " carriage bolts and lock nuts. Use the top and bottom holes on both the opener and the shank to mount the opener. Install the provided paralink shim between the opener and the shank.

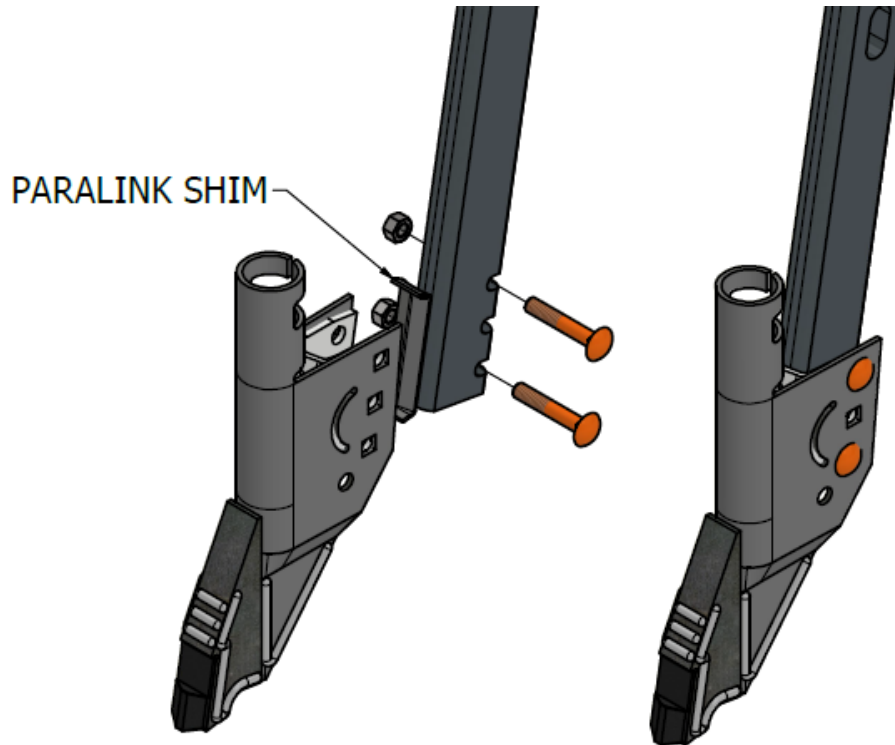


Figure 1: Bolt opener to shank

- 2) Install the FOCUS STRIP by inserting it down the seed tube and hooking it over the rear center of the seed tube in the hose clamp slot.

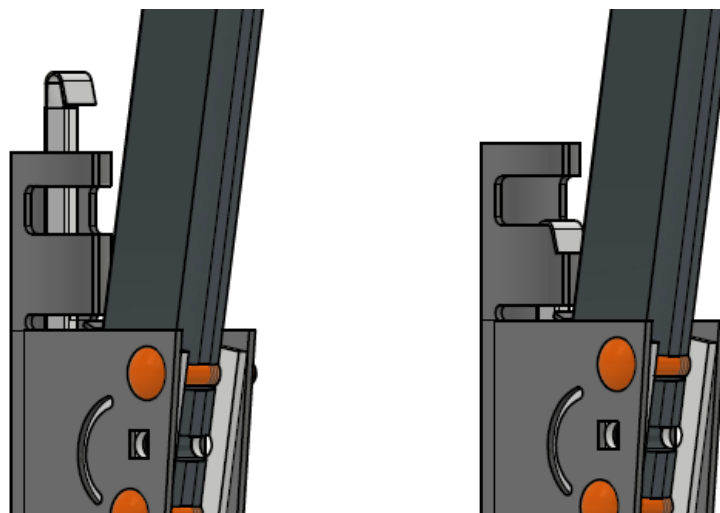


Figure 2: Install focus strip

- 3) Loosely slide the #20 hose clamp over the seed delivery tube. Then, insert the seed hose in the opener. To ensure seed does not flow past the focus strip, push the seed tube to where the opener narrows.

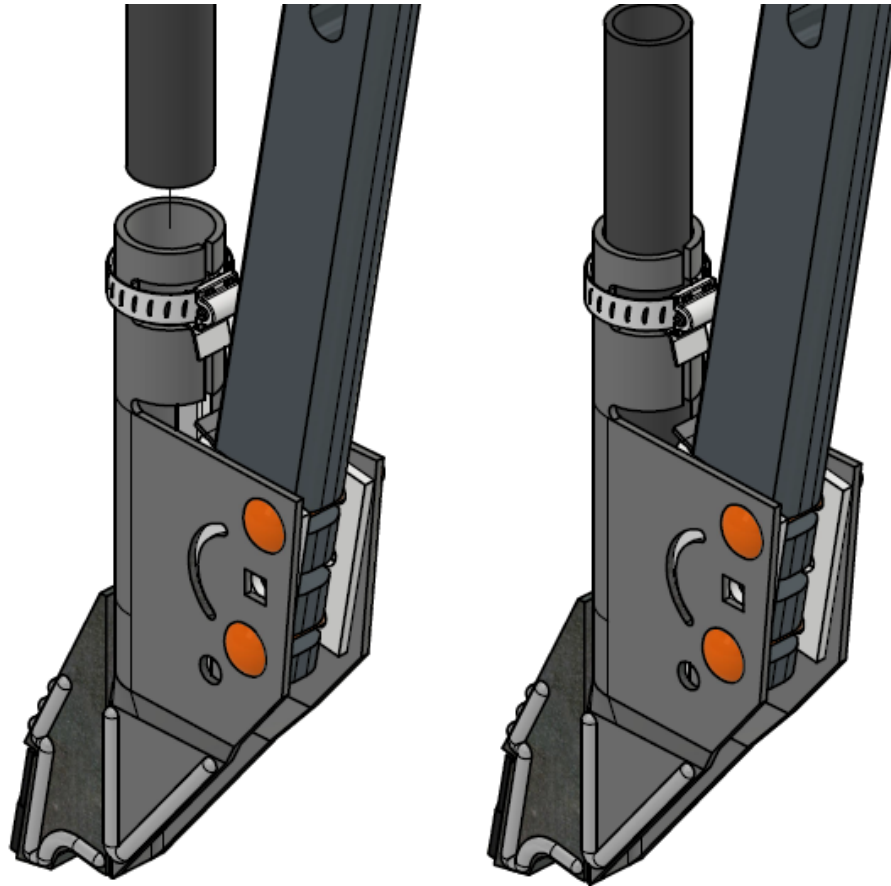


Figure 3: Install seed hose

It is very important to firmly secure the SEED HOSE and FOCUS STRIP in their proper positions with the supplied #20 hose clamp. If the focus strip is loose, a pair of water pump pliers is a good tool to use to close the lower portion of the seed tube below the hose clamp slot.

Our openers are designed to allow hoses of different diameters. Hose bushings will be required for $\frac{3}{4}$ " ID hoses. Short pieces of delivery hose sliced vertically and slipped over the delivery hose make good bushings. If desired, a bushing can be purchased through Atom-Jet: part OP-CB15 TUBE SPACER.

Opener Maintenance

Atom-Jet openers are designed to be tough, durable, and reliable in all soil conditions. To extend the life of your openers even further, follow these steps:

- 1) Exchange openers from the wheel tracks with other areas of the drill or cultivator.
- 2) Maintain hard surfacing on the openers by building up the areas that were hard surfaced at the factory. Detailed instructions on how to do this are shown below. Hard surface welding sticks and hard surface wire can be purchased through your local welding supply store.

Hard Surfacing

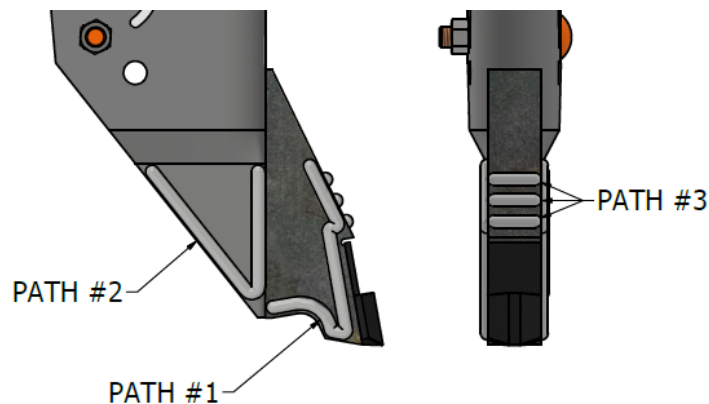


Figure 4: Hard surface paths

One of the reasons we chose steel to build our openers is the ease with which they can be maintained. The following steps are for re-building the hard surface weld beads:

- 1) Maintain the hard surfacing on the openers by building up the areas we have hard surfaced in the factory. Clean off the openers and work on at least ten openers at a time. The idea is to minimize the heat build-up in the opener, preventing any damage to the carbide.
- 2) Follow these steps:
 - a. Starting $\frac{1}{8}$ " away from the carbide, do PATH #1 on all openers.
 - b. Then, do PATH #2 on the skirting of all openers. It may help to clamp a piece of steel inside the boot plate to give backing to the weld and to act as a heat sink.
 - c. Turn the openers over and repeat PATHS #1 and #2 on the other side.
 - d. Starting $\frac{1}{8}$ " away from the carbide, do the paths marked #3 on all openers.
- 3) Atom-Jet Industries regularly performs this process for many customers. Call today for a quote at 1-800-573-5048.